



### Approval Marks



Approval Number : N19979

### Certified

EN 55015 (RFI Suppression)      EN 60929 (Operation)  
 EN 61000-3-2 (Mains Harmonics)  
 EN 61547 (Immunity)  
 EN 61347-1 (Safety)  
 EN 61347-2-3 (Safety)

### Electronic

Parameter	Conditions	Min	Nom	Max	Unit
I/P Voltage Range	240VAC -8%...+6%	221	240	255	Vac
Input Frequency			50 - 60		Hz
Output Power	Wire Length<2M	10		60	W
Input Current	25 °C, Nominal Input 240V		260		mA
Output Voltage	Full Load		11.5~		V
Output Frequency	Approx		34K		Hz
Output Current	25 °C, Nominal Input 240V		5		A
Dimming	Phase-Cut-Off Dimmer				
Power Factor(Full Load)	High Power Factor		0.96		
Protection	Overload Protection				
	Short Circuit Protection				
	Thermal Shut-Down Protection				
Ambient Temp.		-20		+50	°C

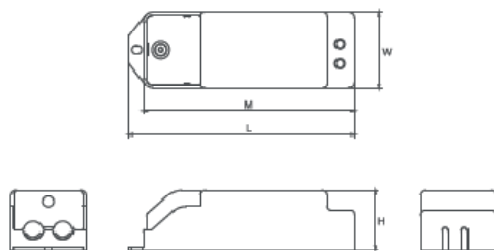
**Lamp Type**    **Low Voltage**  
                     **12V Halogen 10-60W**

### Application Space

Indoor Use  
 (Low Humidity, No Condensation)

### Physical

#### Parameter

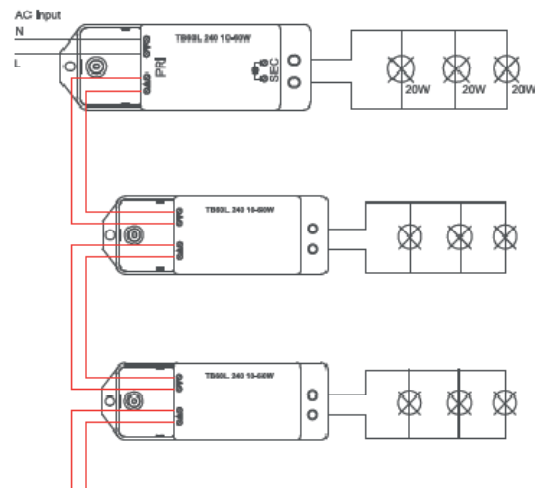


L : 113.7 mm    H : 29.8 mm  
 M : 106.7 mm    K  
 N :                R  
 W : 38.4 mm

Terminal Block : Screw Terminal

Housing Material : Polycarbonate  
 Soldering : Lead-Free, Comply With RoHS  
 Label : Surface Print

### Wiring Diagram



Available from: